






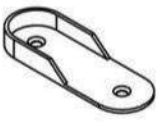
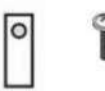



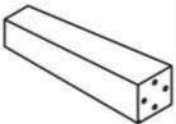





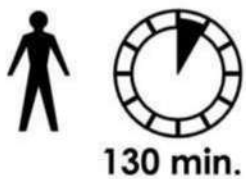
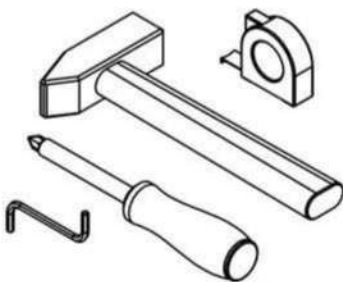
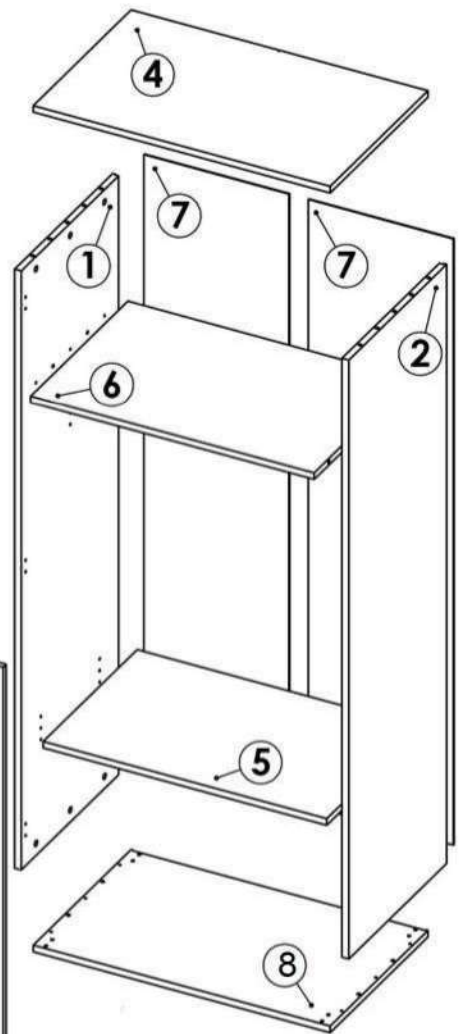
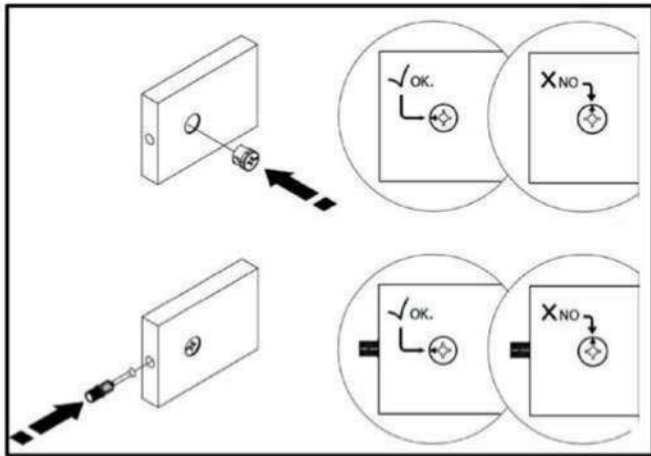


WARDROBE 2 DOORS TOBY

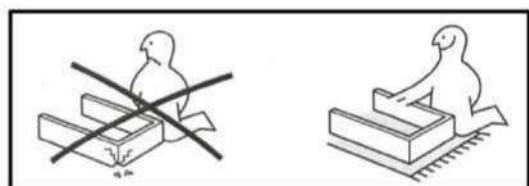
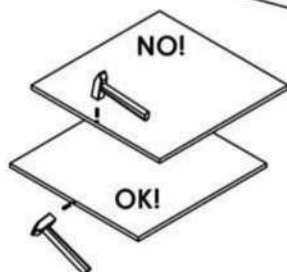
Art. code: 116 07 401

17.06.2024




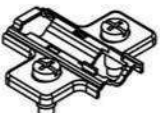
		 8x30	 7x50	 3,5x13			
A x 18	B x 18	C x 12	D x 8	E x 18	F x 1	G x 20	H x 2
							
I x 2	J x 6	K x 6	L x 4	M x 4	N x 1	O x 1	
							
P x 1	Q x 1	R x 2					

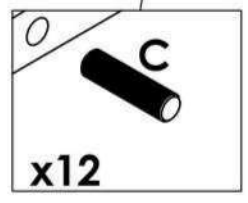
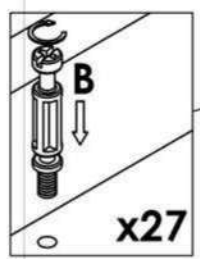
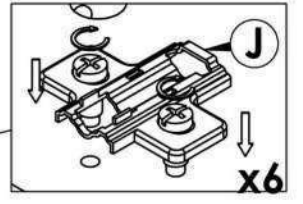
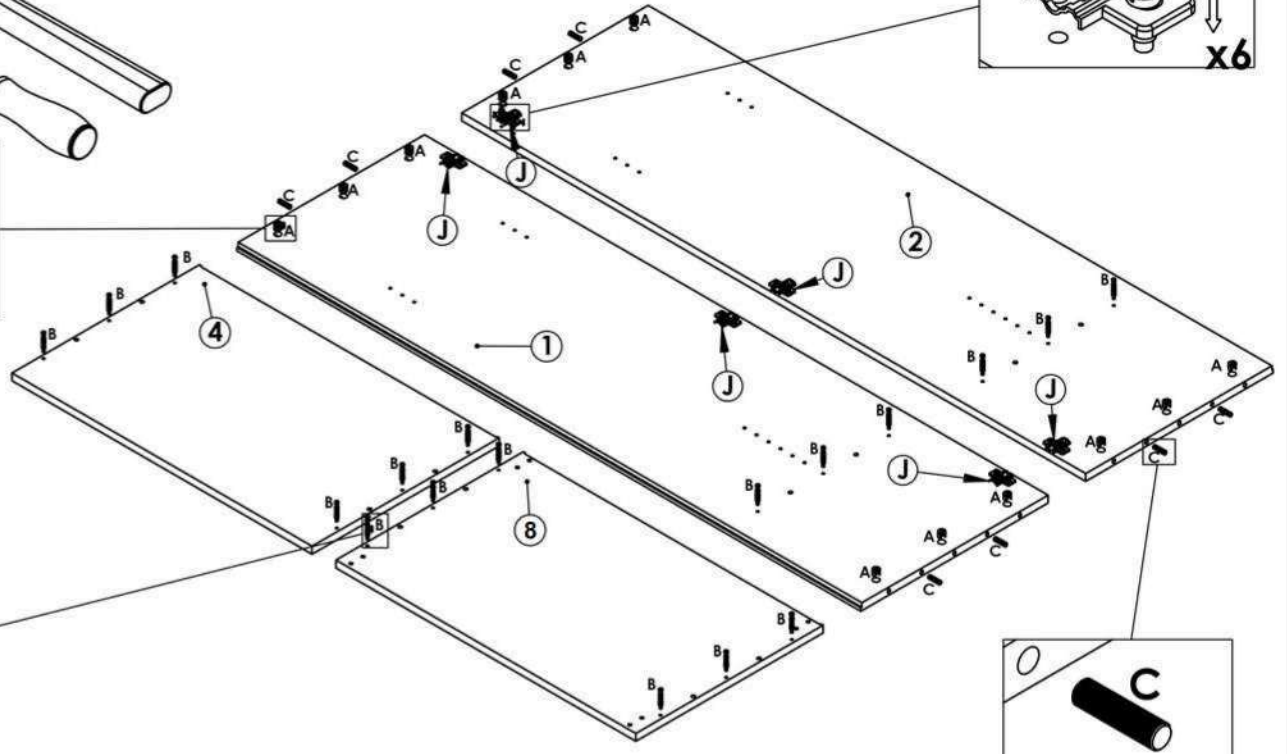
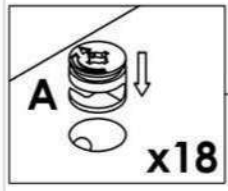
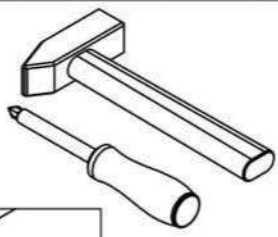


"BOPITA"
LION INTERNATIONAL B.V.
ENERGIWEG 1
6662 NS ELST GLD
NEDERLAND
www.bopita.com







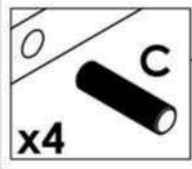
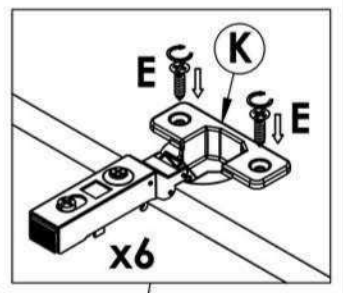
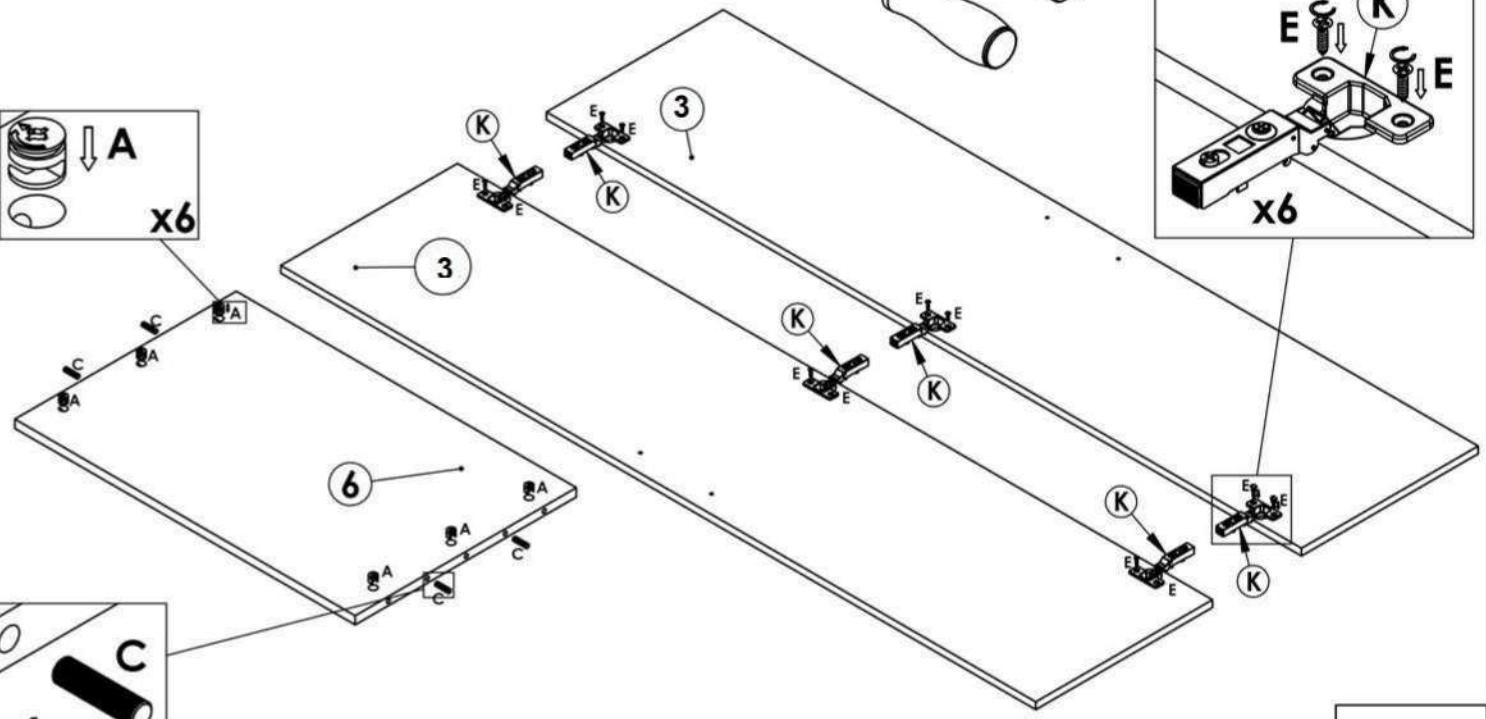
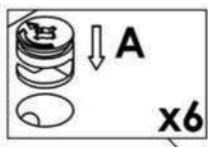
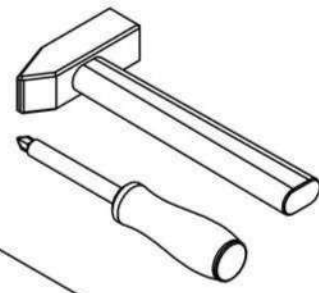
STEP - 1

			
A x 12	B x 18	C x 8	J x 6

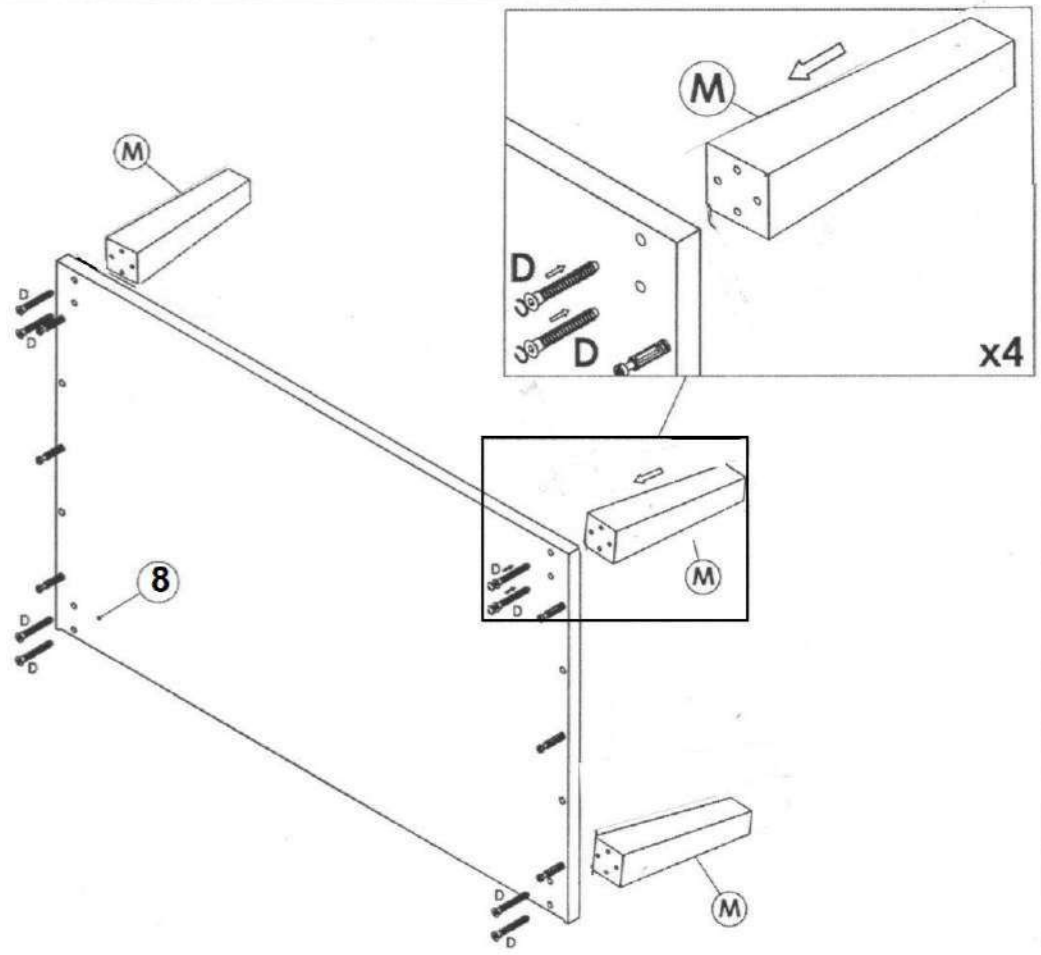
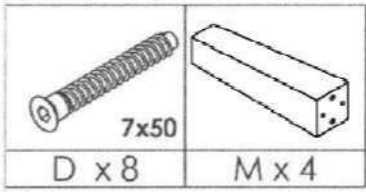


STEP - 2

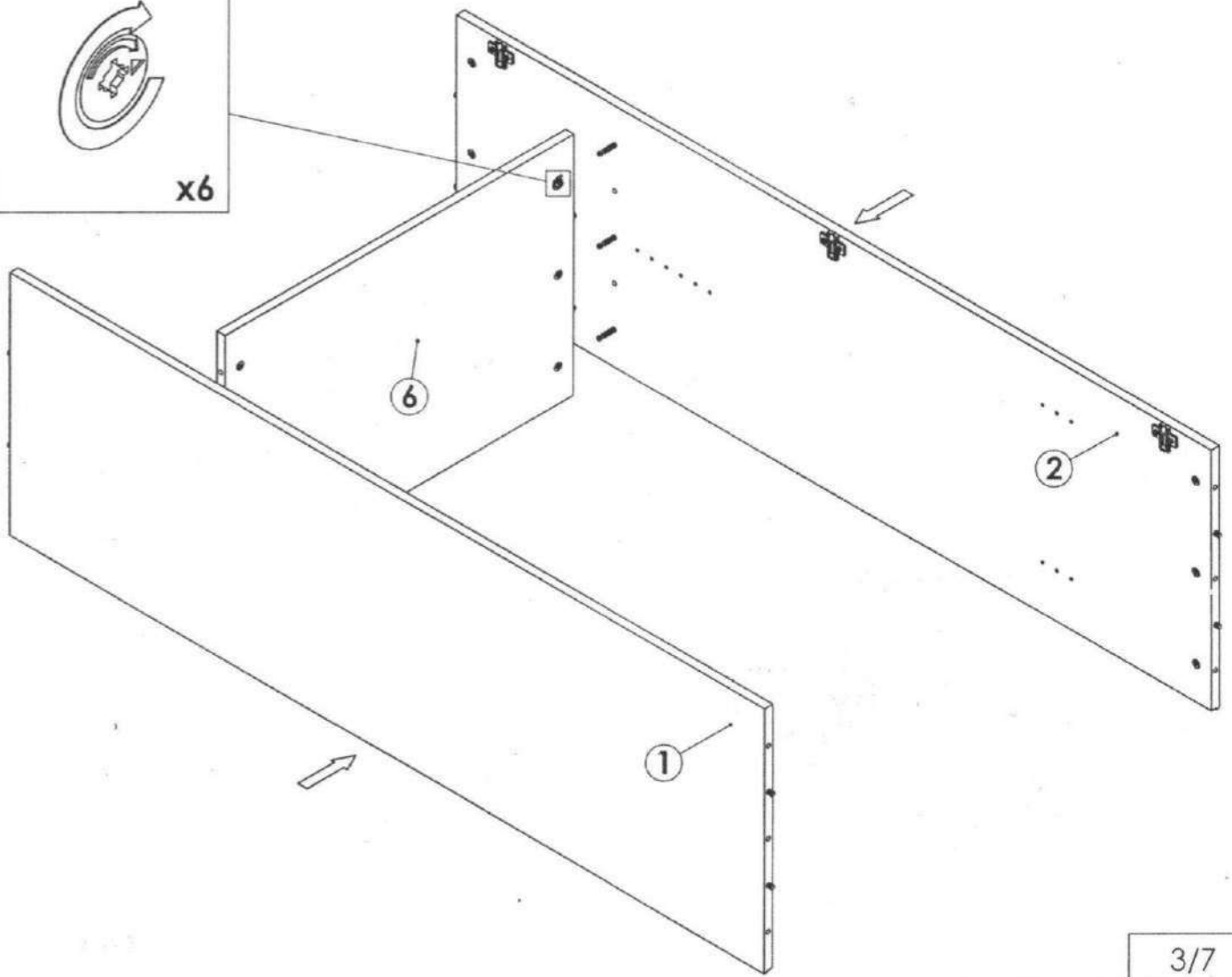
			
A x 6	C x 4	E x 12	K x 6



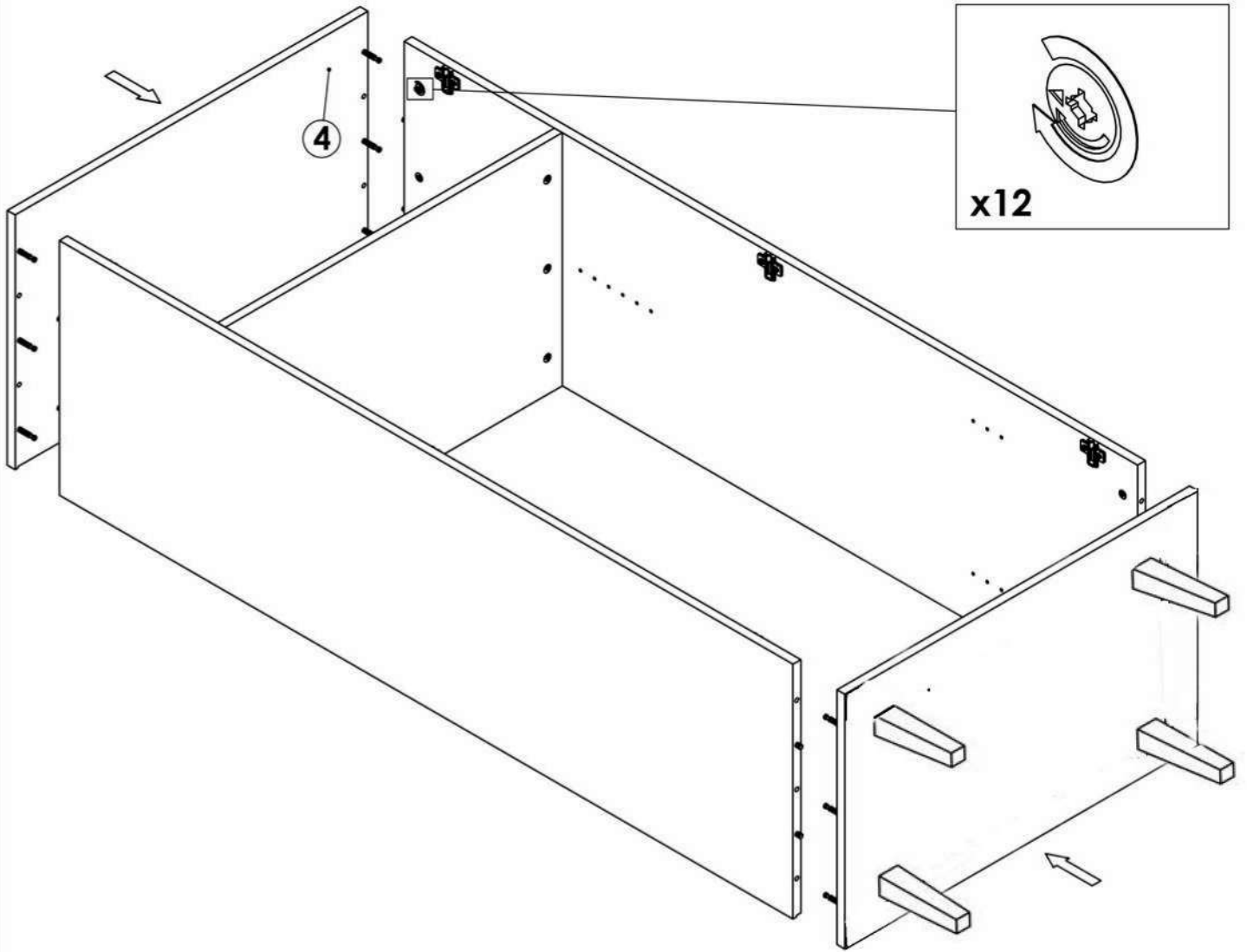
STEP - 3



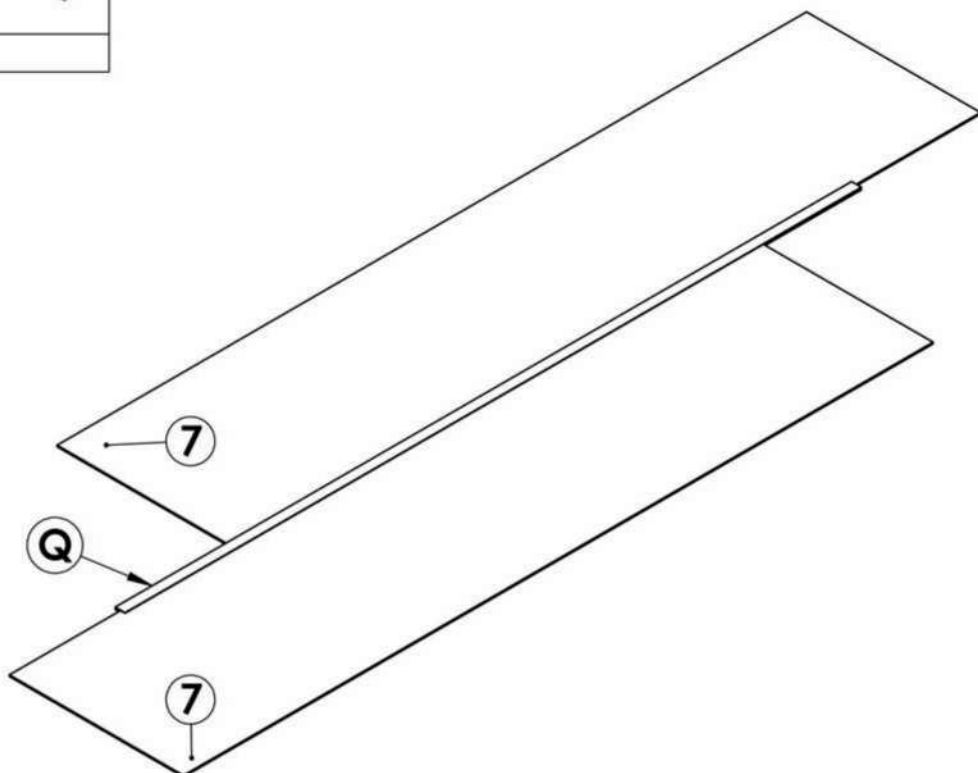
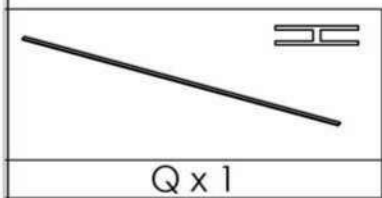
STEP - 4



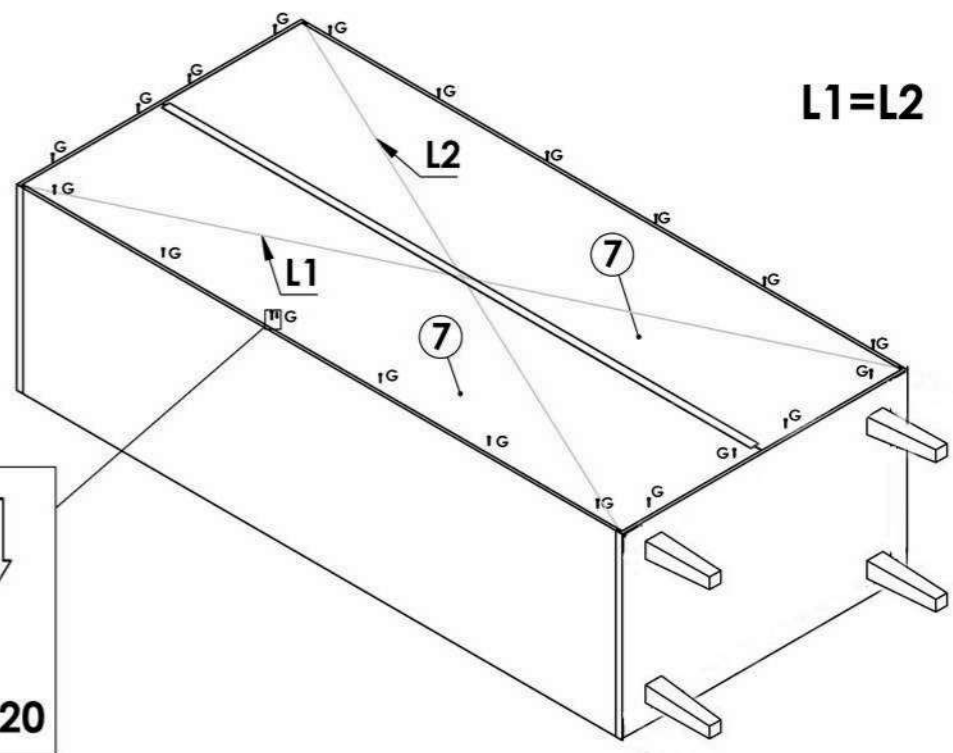
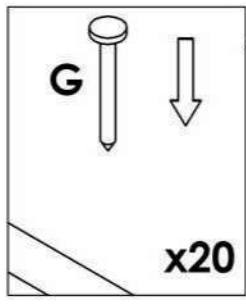
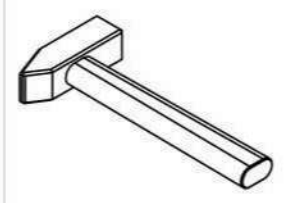
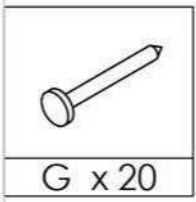
STEP - 5



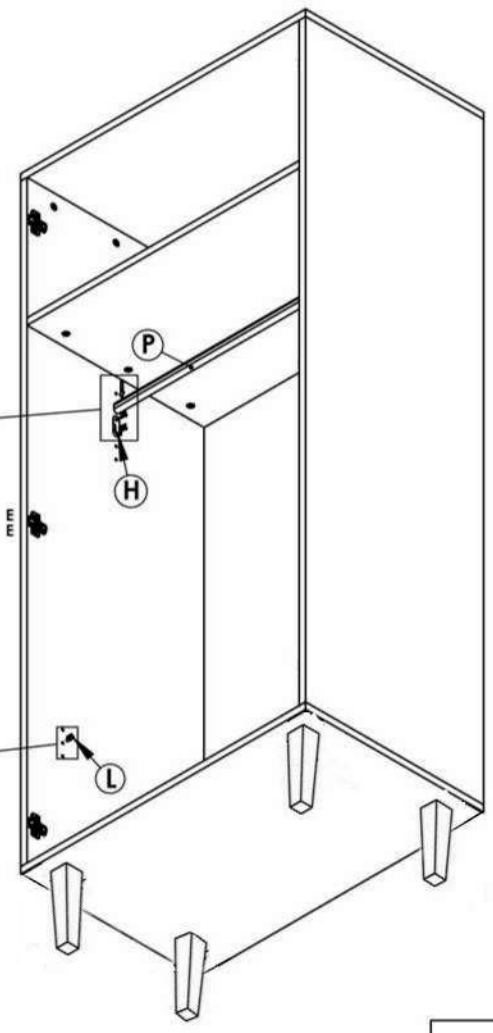
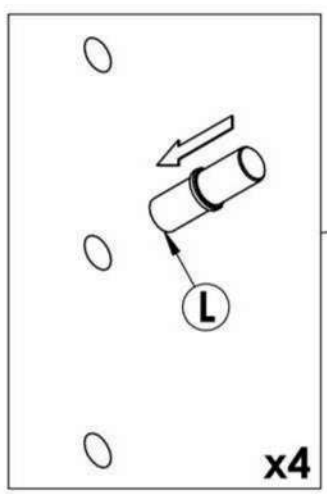
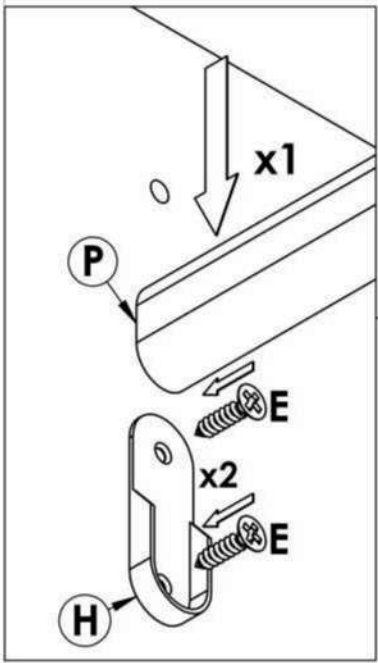
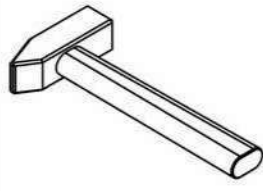
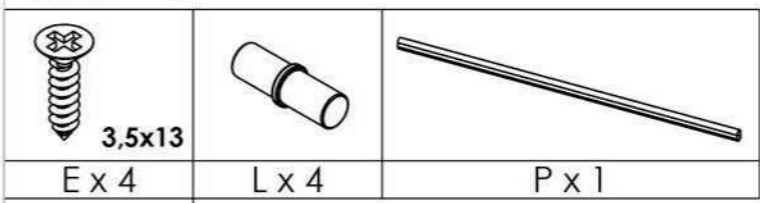
STEP - 6



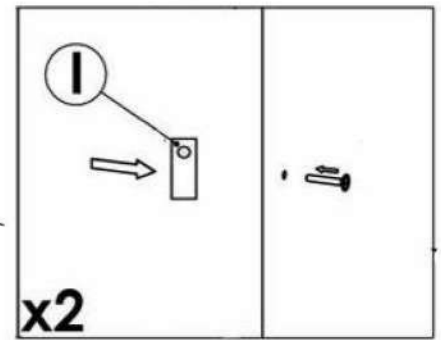
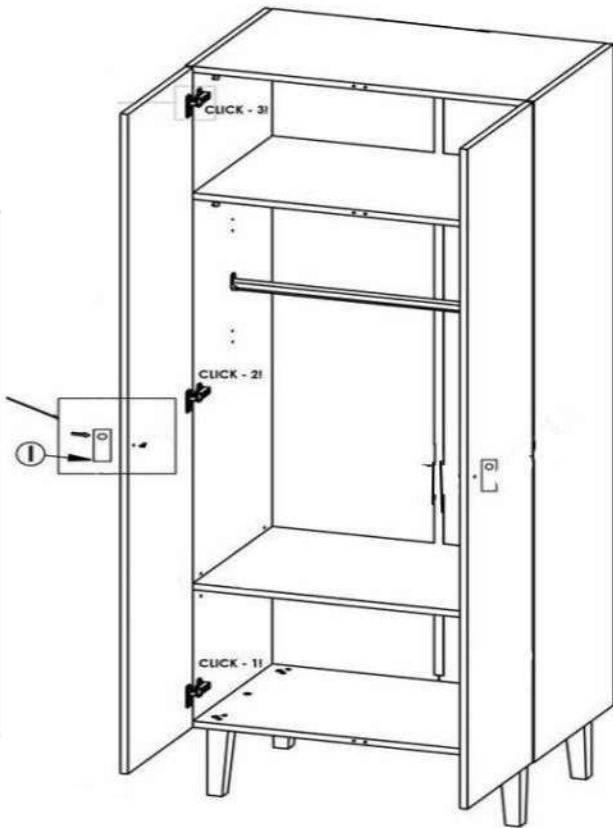
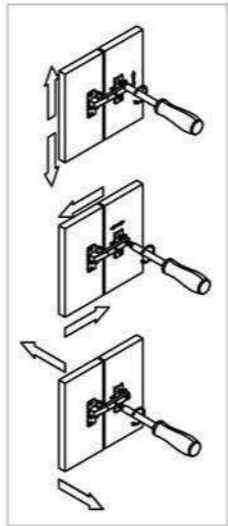
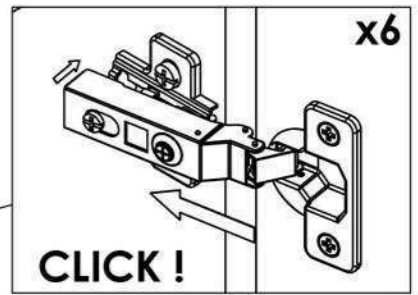
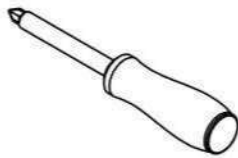
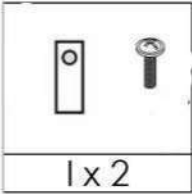
STEP - 7



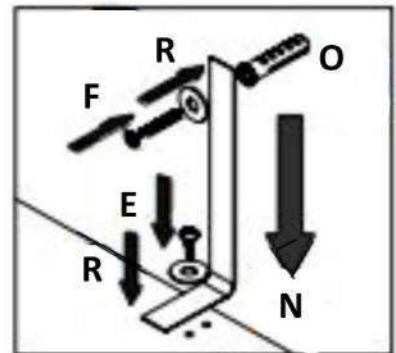
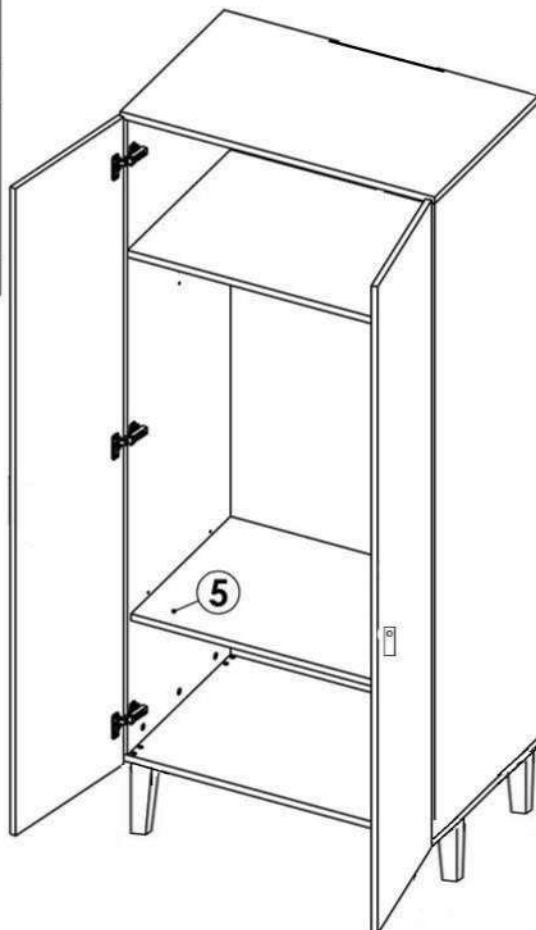
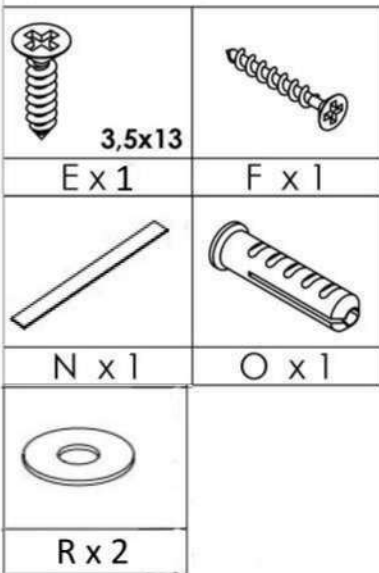
STEP - 8



STEP - 9



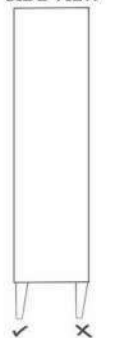
STEP - 10



FRONT VIEW



SIDE VIEW



QC-CODE

(UK) for service requests

(NL) voor service vragen

(FR) pour les demandes de service

(DE) für Service Anfragen

(ES) para consultas de servicio

(IT) per richieste di assistenza

